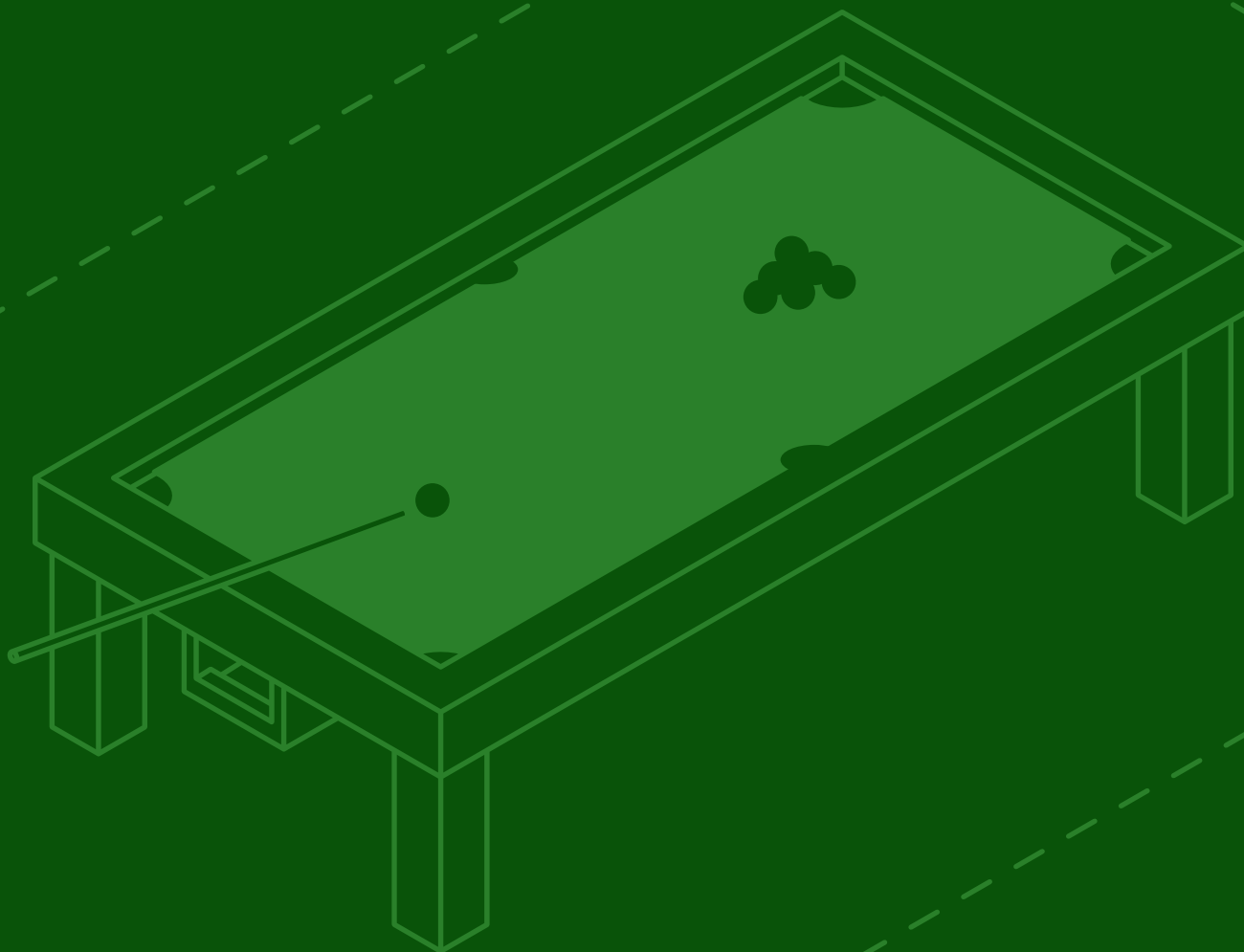


# Size Guides

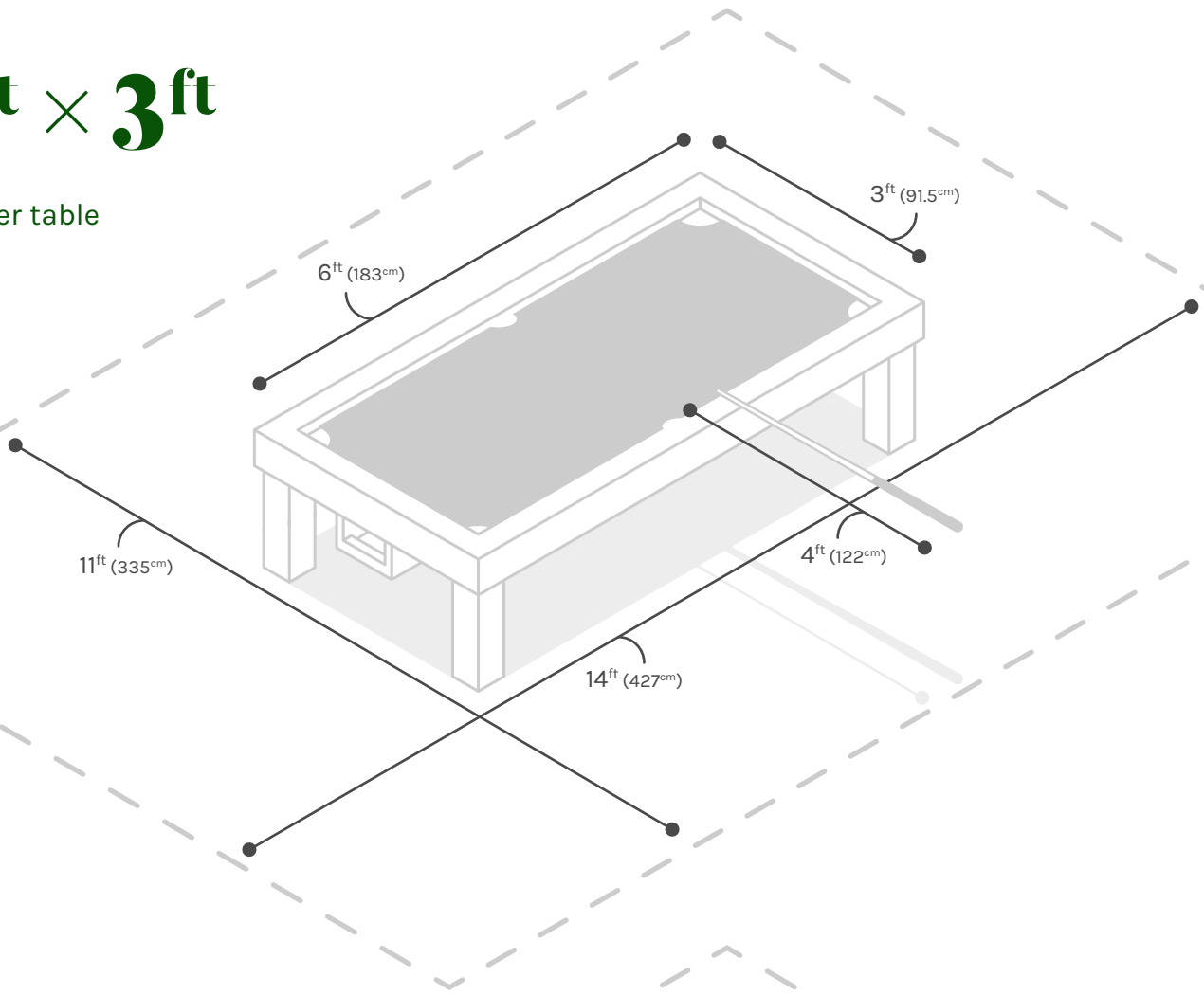
Room size requirements



The sizes listed on the following pages are the minimum CLEAR space required to allow for cueing around the table. The Recommended cue length is also shown. Any furniture or buttresses must be outside this clear space.

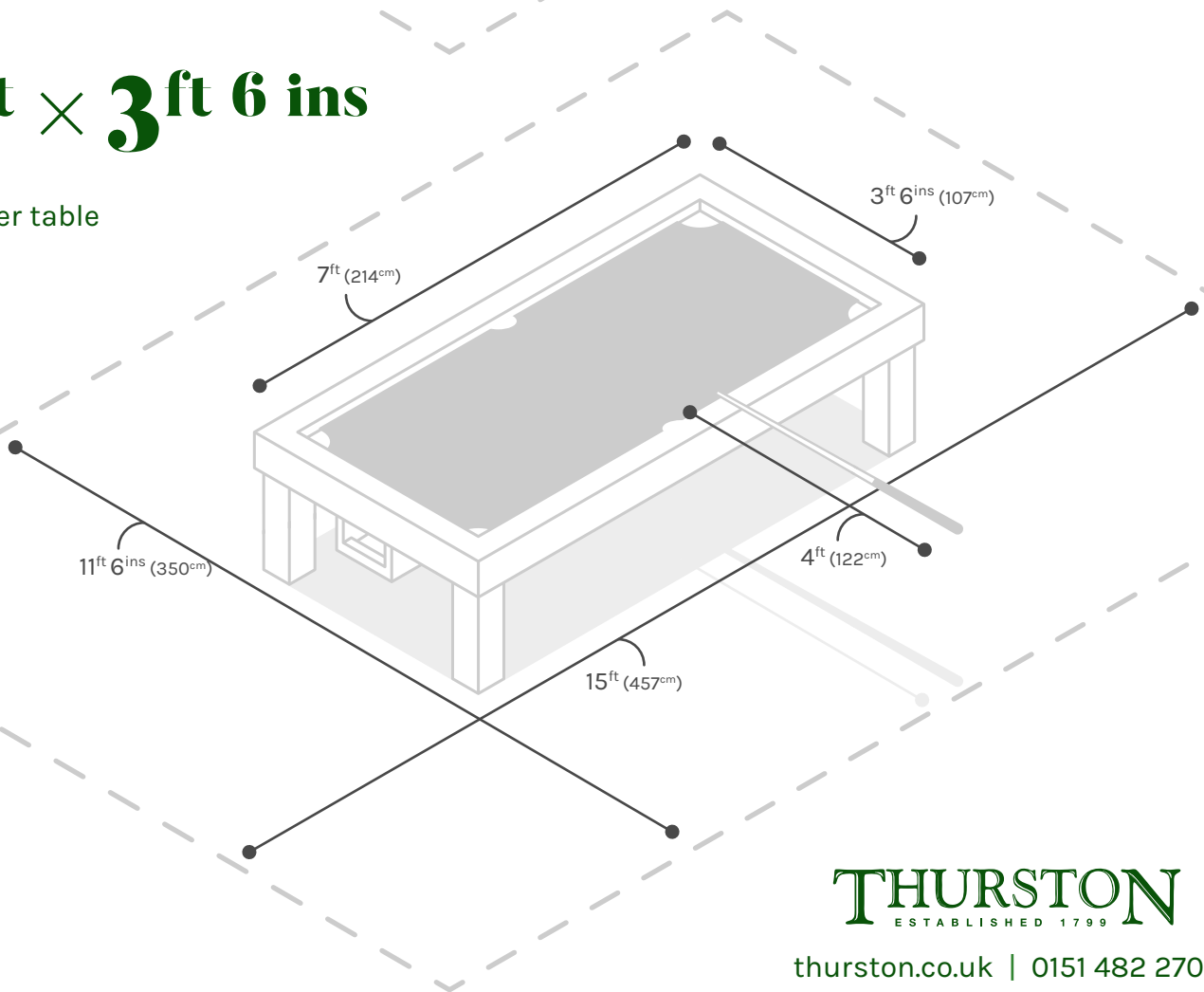
# 6ft × 3ft

Snooker table



# 7ft × 3ft 6 ins

Snooker table

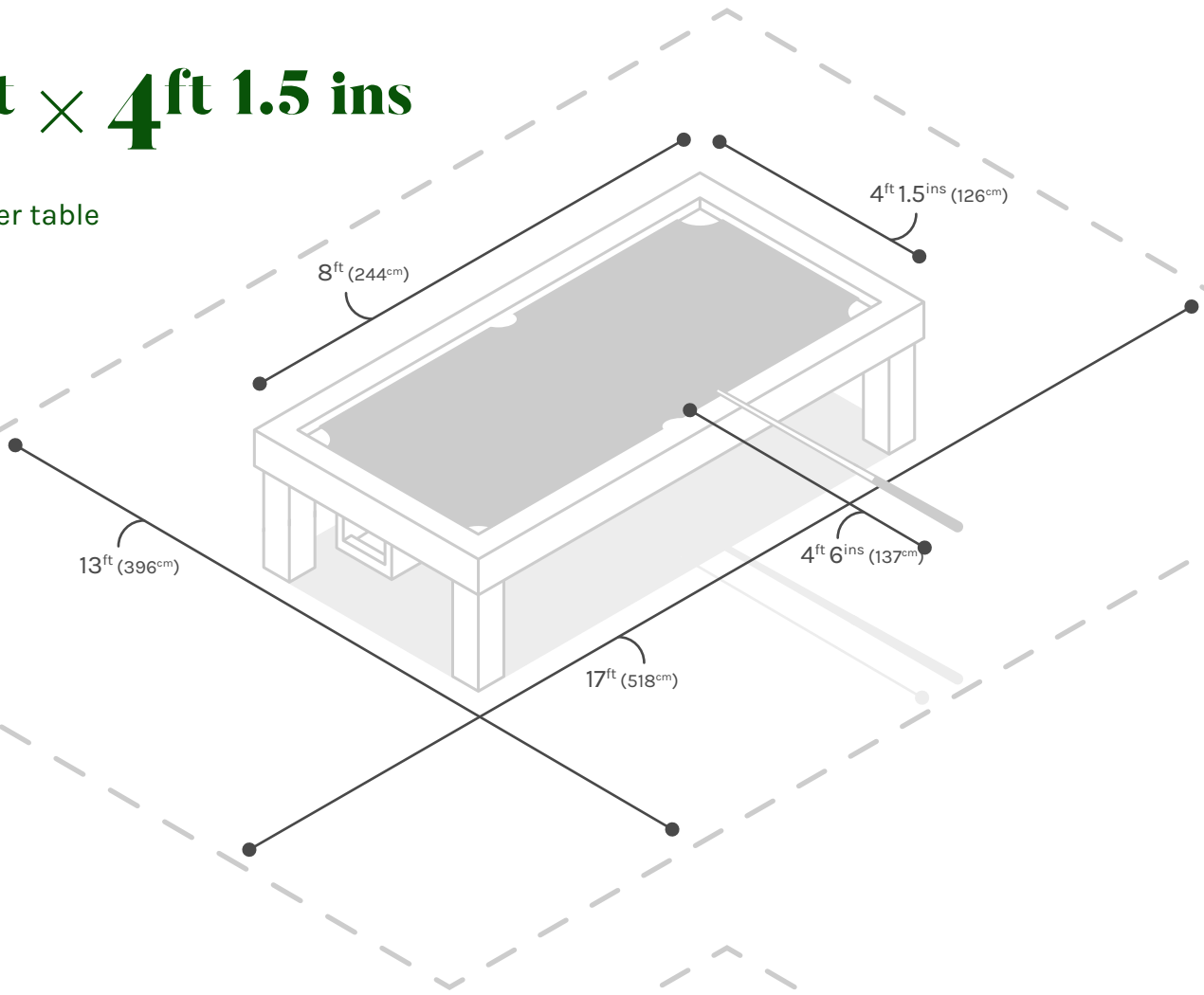


**THURSTON**  
ESTABLISHED 1799

thurston.co.uk | 0151 482 2700

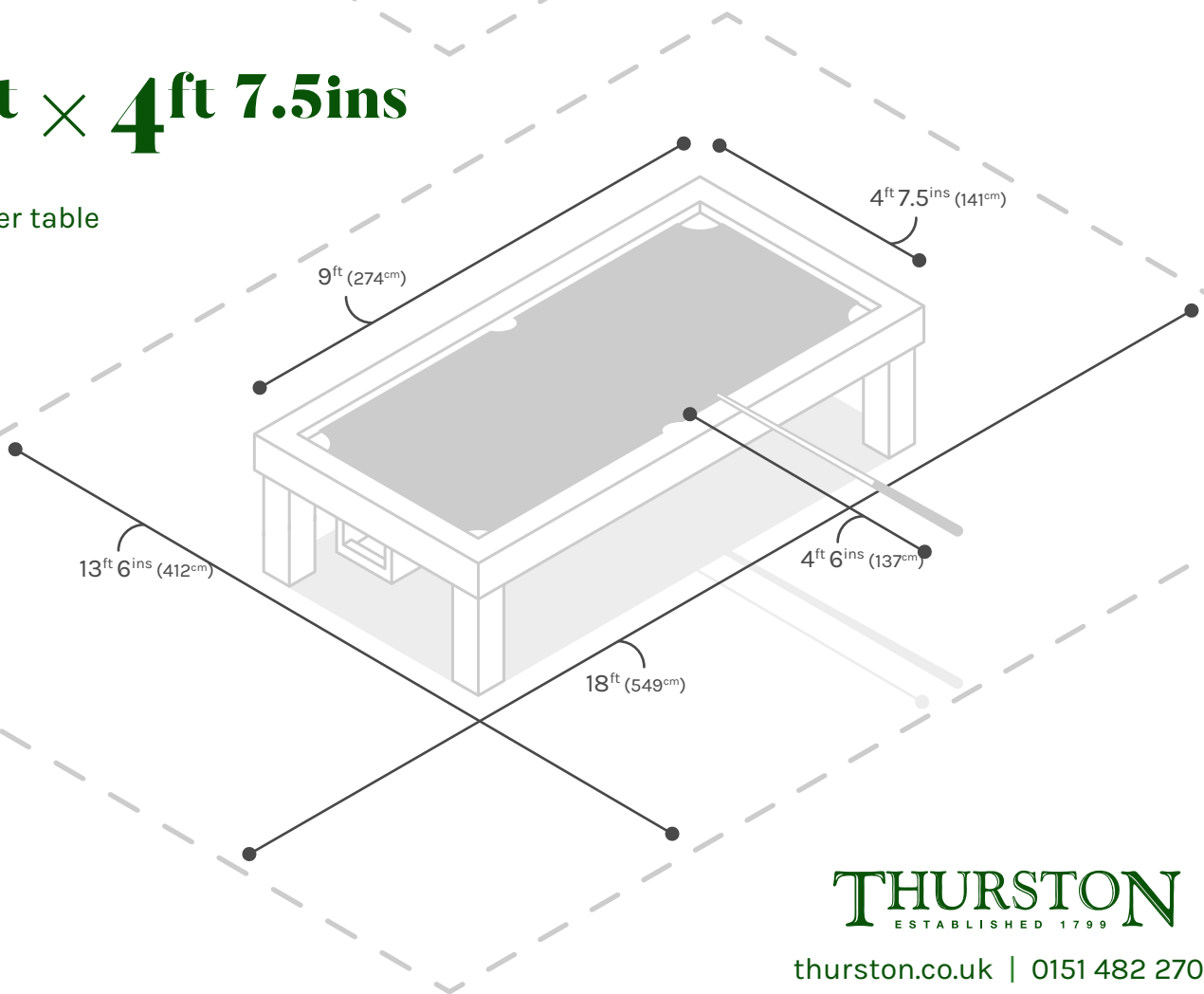
# 8ft × 4ft 1.5ins

Snooker table



# 9ft × 4ft 7.5ins

Snooker table

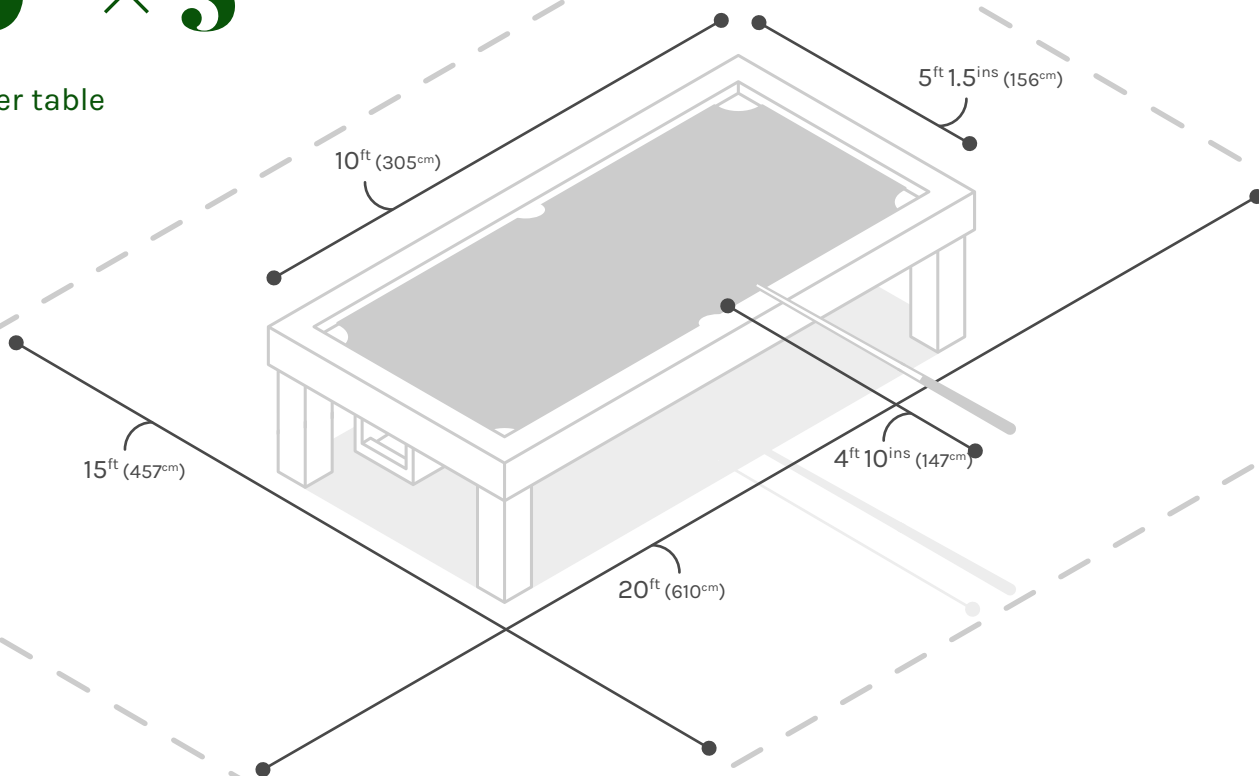


**THURSTON**  
ESTABLISHED 1799

thurston.co.uk | 0151 482 2700

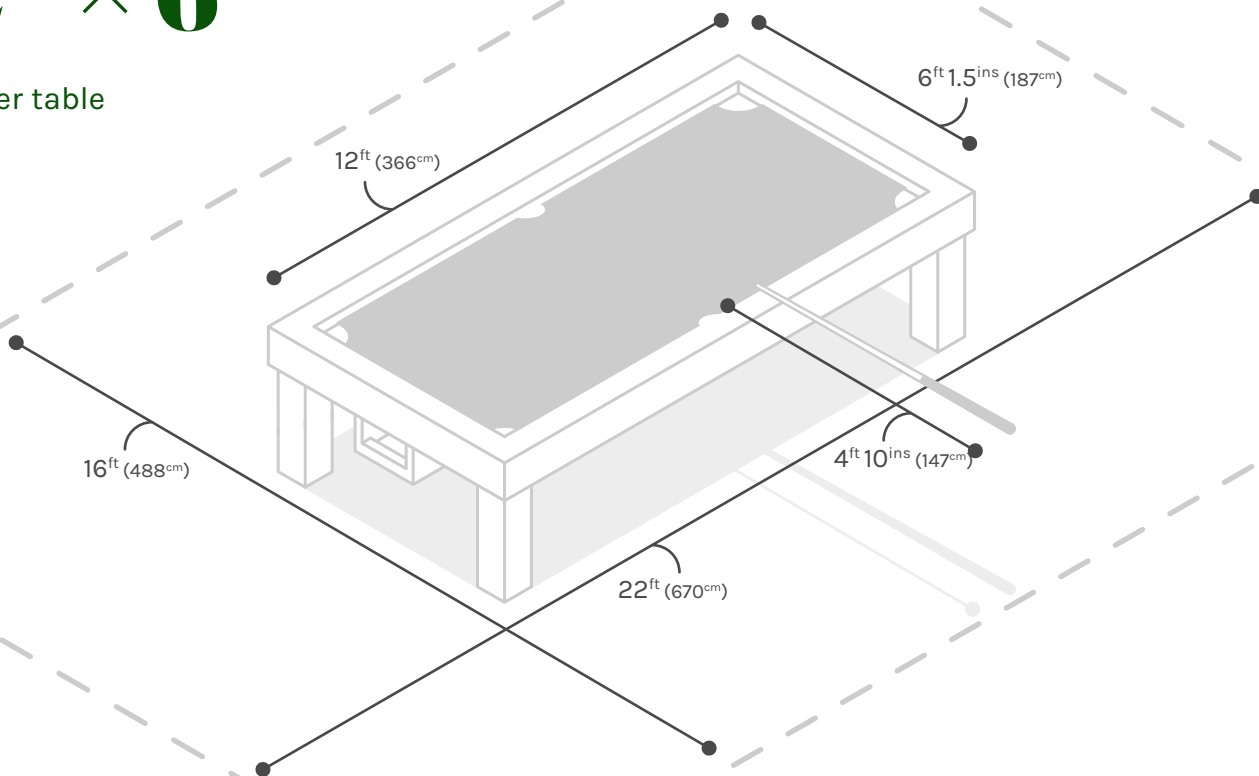
# 10ft × 5ft 1.5ins

Snooker table



# 12ft × 6ft 1.5ins

Snooker table



**THURSTON**  
ESTABLISHED 1799

thurston.co.uk | 0151 482 2700

# Size Guides

## Room size table

To ensure the intended room is suitable for your chosen table and to maximise your playing enjoyment without using a reduced length cue, please use the following guide.

**Free site inspections are available on request.**

| Size of Snooker Table            | Recommended Length of Cue | Minimum Room Size               |
|----------------------------------|---------------------------|---------------------------------|
| 6ft x 3ft (183cm x 91.5cm)       | 4ft (122cm)               | 14ft x 11ft (427cm x 335cm)     |
| 7ft x 3ft 6in (214cm x 107cm)    | 4ft (122cm)               | 15ft x 11ft 6" (457cm x 350cm)  |
| 8ft x 4ft 1.5in (244cm x 126cm)  | 4ft 6in (137cm)           | 17ft x 13ft (518cm x 396cm)     |
| 9ft x 4ft 7.5in (274cm x 141cm)  | 4ft 6in (137cm)           | 18ft x 13ft 6in (549cm x 412cm) |
| 10ft x 5ft 1.5in (305cm x 156cm) | 4ft 10in (147cm)          | 20ft x 15ft (610cm x 457cm)     |
| 12ft x 6ft 1.5in (366cm x 187cm) | 4ft 10in (147cm)          | 22ft x 16ft (670cm x 488cm)     |

| Size of Snooker Table                                | Minimum Room Size            |
|--|------------------------------|
| Two full sized tables standing side by side          | 27ft x 22ft (824cm x 670cm)  |
| Two full sized tables standing end to end            | 39ft x 16ft (1188cm x 488cm) |
| Two full sized tables standing in a T or L formation | 33ft x 22ft (1006cm x 670cm) |